

**Overview**

- Compression load till 10 kN
- Non-linearity < 0.2 %
- Sensor body made of stainless steel with protection class IP68
- Fully welded sensor design
- Durable with 100% working stroke


**Technical data**
**General data**

|                         |                       |
|-------------------------|-----------------------|
| Measuring range         | 0 ... 10 kN           |
| Non-linearity           | < 0.2 %               |
| Repeatability           | < 0.1 %               |
| Temperature effect zero | < 0.2 % / 10K         |
| Zero point deviation    | < 20 %                |
| Type                    | Button                |
| Mechanical mounting     | 4 x M3 screws / loose |

**Mechanical data**

|                      |                               |
|----------------------|-------------------------------|
| Overload             | 150 %                         |
| Breaking load        | 200 %                         |
| Fatigue strength     | >10 Mio cycles at 0...100% FS |
| Nominal displacement | 28 µm                         |
| Weight               | 100 g                         |
| Material sensor body | Stainless steel, 1.4542       |

**Mechanical data**

|                       |                 |
|-----------------------|-----------------|
| Electrical connection | M8, 4 pin, male |
|-----------------------|-----------------|

**Electrical data**

|                          |                |
|--------------------------|----------------|
| Nominal sensitivity      | 1 mV/V         |
| Bridge resistance        | 1000 Ω         |
| Supply voltage           | 0.5 ... 12 VDC |
| Signal polarity positive | Compression    |

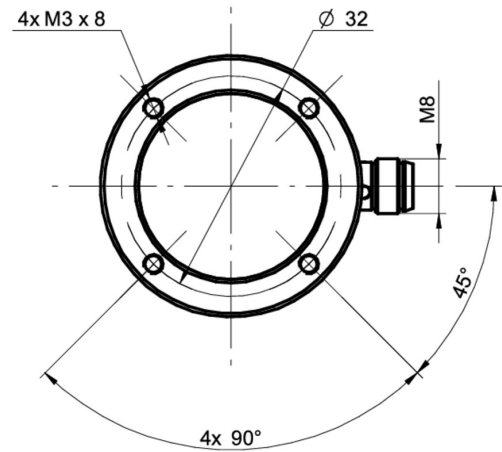
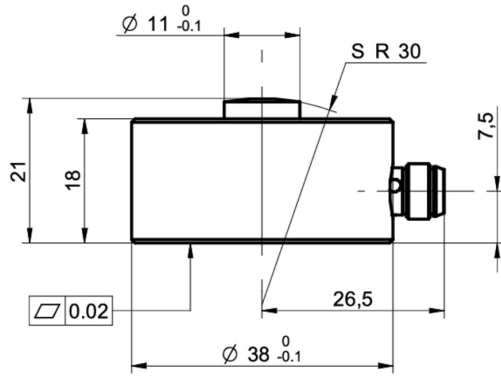
**Environmental conditions**

|                                     |               |
|-------------------------------------|---------------|
| Operating temperature range         | -40 ... 85 °C |
| Storage temperature range           | -40 ... 85 °C |
| Protection class EN 60529, ISO20653 | IP 68         |

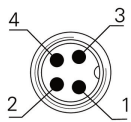
**Compliance and approvals**

|           |         |
|-----------|---------|
| UL listed | E217824 |
|-----------|---------|

**Dimensional drawings (mm)**



**Electrical connection**



- 1 +Vs
- 2 Sig +
- 3 -Vs
- 4 Sig -