

GXMMS

Blind hollow shaft up to $\varnothing 15$ mm

Optical multiturn encoders 13 bit ST / 16 bit MT

Overview

- Encoder multiturn / bus cover
- Optical sensing method
- Resolution: singleturn 13 bit, multiturn 16 bit
- Blind hollow shaft $\varnothing 12...15$ mm
- Extreme compact design
- Interface: Profibus-DP
- Code continuity check optional by bus
- Maximum resistant against magnetic fields



Technical data

Technical data - electrical ratings

Voltage supply	10...30 VDC
Reverse polarity protection	Yes
Consumption w/o load	≤ 100 mA (24 VDC)
Initializing time typ.	250 ms after power on
Interface	Profibus
Function	Multiturn
Device adress	Rotary switch in bus cover (type-specific)
Steps per revolution	≤ 8192 / 13 bit
Number of revolutions	≤ 65536 / 16 bit
Absolute accuracy	$\pm 0.025^\circ$
Sensing method	Optical
Code	Binary
Code sequence	CW/CCW programmable
Incremental output	2048 pulses A90°B (optional)
Interference immunity	EN 61000-6-2
Emitted interference	EN 61000-6-4
Programmable parameters	Steps per revolution Number of revolutions Preset Scaling Rotating direction
Diagnostic function	Position or parameter error Multiturn sensing
Status indicator	DUO-LED integrated in bus cover

Technical data - electrical ratings

Approval UL approval / E63076

Technical data - mechanical design

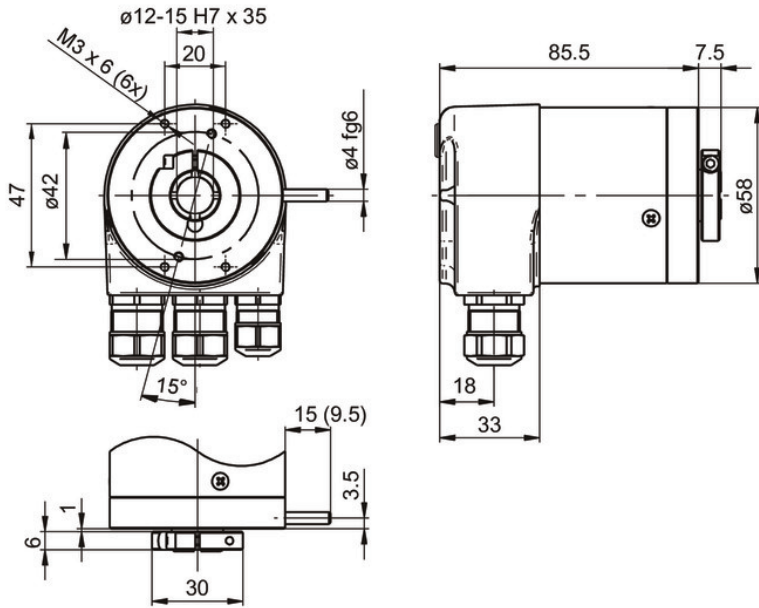
Size (flange)	$\varnothing 58$ mm
Shaft type	$\varnothing 12...15$ mm (blind hollow shaft)
Protection EN 60529	IP 54 IP 65
Operating speed	≤ 6000 rpm (mechanical) ≤ 6000 rpm (electric)
Starting acceleration	≤ 1000 U/s ²
Starting torque	≤ 0.015 Nm (+25 °C, IP 54) ≤ 0.03 Nm (+25 °C, IP 65)
Rotor moment of inertia	20 gcm ²
Material	Housing: steel Flange: aluminium Bus cover: zinc die-cast
Operating temperature	-25...+85 °C -40...+85 °C (optional)
Relative humidity	95 % non-condensing
Resistance	EN 60068-2-6 Vibration 10 g, 16-2000 Hz EN 60068-2-27 Shock 200 g, 6 ms
Weight approx.	500 g
Connection	Cable gland Connector 3xM12

GXMMS

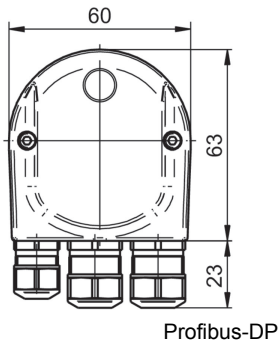
Blind hollow shaft up to $\varnothing 15$ mm

Optical multiturn encoders 13 bit ST / 16 bit MT

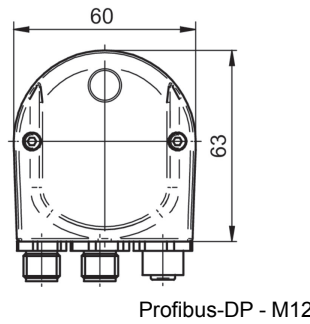
Dimensions



GXAMS, GXMMS



Profibus-DP



Profibus-DP - M12

GXMMS

Blind hollow shaft up to ø15 mm

Optical multiturn encoders 13 bit ST / 16 bit MT

Ordering reference

		GXMMS	.	#	20	####
Product		GXMMS				
Blind hollow shaft						
ø12 mm, without pin		0				
ø12 mm, without pin / IP 65		2				
ø12 mm, pin 15 mm		1				
ø12 mm, pin 9.5 mm		B				
ø14 mm, without pin		4				
ø14 mm, pin 15 mm		5				
ø14 mm, pin 9.5 mm		F				
ø15 mm, pin 15 mm / IP 54		U				
ø15 mm, without pin / IP 65		W				
Voltage supply						
10...30 VDC		20				
Interface						
Profibus-DPV0 / cable gland		3P32				
Profibus-DPV0 / connector M12		3PA2				
Profibus-DPV2 / cable gland		3V32				
Profibus-DPV2 / connector M12		3VA2				

Accessories

Mounting accessories

10140347	Torque support and spring washer for encoders with 9.5 mm pin (Z 119.024)
10139345	Torque support by rubber buffer for encoders with 15 mm pin (Z 119.041)
11066120	Torque arm, 1-arm (mounting kit 056)
11034106	Spring coupling for motor's fan guard (Z 119.053)
10165157	Spring coupling for encoders with ø58 mm housing, hole distance 73 mm (Z 119.072)
11034121	Spring coupling for encoders with ø58 mm housing, hole distance 68 mm (Z 119.073)
11034123	Spring coupling for one-side attachment, length 115 mm (Z 119.076)
11003562	Spring coupling for encoders with ø58 mm housing, hole distance 63 mm (Z 119.082)
11201396	Spring coupling, hole distance 32.5 mm (Z 119.101)
11098229	Clamping ring set 16/30x6 - stainless steel (Z 119.092)