

IR12.D04L-F60.UAME.7BF

Inductive distance sensors - linearized

Article number: 11130474

Overview

- 0 ... 4 mm
- voltage output / PNP
- external Teach-in
- connector M12
- -25 ... 75 °C (Vs = 12 ... 30 VDC)
- -25 ... 60 °C (Vs = 12 ... 36 VDC)
- IP 67



Picture similar



Technical data

| General data | | Electrical data | |
|--|--|-----------------------------|--|
| Mounting type | Flush | Output circuit | Voltage output / PNP |
| Special type | 2 adjust. switching points Linearized | Output signal | 0 ... 10 VDC |
| Measuring distance Sd | 0 ... 4 mm | Load resistance | > 4000 Ohm |
| Sensitivity | 2,5 V/mm | Output current | 100 mA (PNP) |
| Resolution | < 0.003 mm (stat.) < 0.005 mm (dynam.) | Short circuit protection | Yes |
| Repeat accuracy | 0.01 mm | Reverse polarity protection | Yes |
| Adjustment | External Teach-in | Mechanical data | |
| Teach | 1-point analog, window digital, factory re-set | Design | Cylindrical threaded |
| Linearity error | ± 16 µm | Material (sensing face) | PBT |
| Temperature drift | ± 4 % (Full Scale) | Housing material | Brass nickel plated |
| Output indicator | LED red | Dimension | 12 mm |
| Teach-Feedback | LED yellow | Housing length | 60 mm |
| Electrical data | | Connection types | Connector M12 |
| Response time (factory characteristic) | < 1 ms | Tightening torque max. | 15 Nm (A: 10 Nm) |
| Voltage supply range +Vs | 12 ... 36 VDC | Ambient conditions | |
| Current consumption max. (no load) | 15 mA | Operating temperature | -25 ... +75 °C (Vs = 12 ... 30 VDC) -25 ... +60 °C (Vs = 12 ... 36 VDC) |
| | | Protection class | IP 67 |

IR12.D04L-F60.UAME.7BF

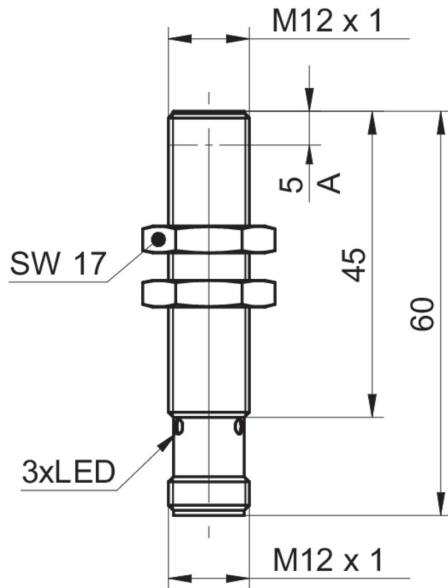
Inductive distance sensors - linearized

Article number: 11130474

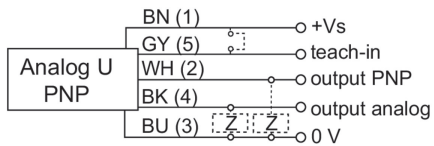
Remarks

- External Teach-in
- Integrated analog- and switching output
- Linear analog output

Dimension drawing



Connection diagram



Pin assignment

