

## ITD89H00 - Rectangular signal

Through hollow shaft  $\varnothing 70$  to  $\varnothing 140$  mm

256...8192 pulses per revolution

### Overview

- Bearingless magnetic encoder
- Max. 8192 pulses per revolution
- Output circuits: HTL or TTL
- Fast, easy and space saving installation
- Maintenance-free
- High accuracy - error max.  $\pm 0.1^\circ$
- Rotation speed max. 5000 rpm
- High resistance to dirt and vibrations
- Magnetic rotor included in delivery



### Technical data

#### Technical data - electrical ratings

Voltage supply	5 VDC $\pm 5\%$ 8...26 VDC
Reverse polarity protection	Yes
Short-circuit proof	Yes
Consumption w/o load	$\leq 50$ mA
Pulses per revolution	256 ... 8192
Interpolation	1-fold (single) 2-fold 4-fold 8-fold 16-fold 32-fold
Output signals	A 90° B + inverted A 90° B, N + inverted
Output stages	TTL linedriver (short-circuit proof) HTL push-pull (short-circuit proof)
Output current	$\leq 30$ mA
Output frequency	$\leq 300$ kHz (TTL) $\leq 160$ kHz (HTL)
System accuracy	$\pm 0.1^\circ$

#### Technical data - electrical ratings

Interference immunity	EN 61000-6-2
Emitted interference	EN 61000-6-3

#### Technical data - mechanical design

Shaft type	$\varnothing 70$ ...140 mm (through hollow shaft)
Dimensions W x H x L	12 x 16 x 48 mm
Motor shaft tolerance	0.5 mm axial 0.05 mm radial
Protection EN 60529	IP 67 (relating to sealed electronics)
Operating speed	$\leq 5000$ rpm
Material	Housing: plastic Shaft: stainless steel
Operating temperature	$-40$ ... $+100$ °C (fixed cable)
Resistance	EN 60068-2-6 Vibration 10 g, 55-2000 Hz EN 60068-2-27 Shock 100 g, 11 ms
Weight approx.	2200 g (at $\varnothing 70$ mm) 619 g (at $\varnothing 140$ mm)
Connection	Cable 1 m

### Optional

- Cable with connector
- Redundant sensing

# ITD89H00 - Rectangular signal

Through hollow shaft  $\varnothing 70$  to  $\varnothing 140$  mm

256...8192 pulses per revolution

## Terminal assignment

### With BI-signals, cable [4x2x0,08 mm<sup>2</sup>]

Core colour	Assignment
green	Track A
yellow	Track A inv.
grey	Track B
pink	Track B inv.
red	UB
blue	GND
transparent	Shield/Housing

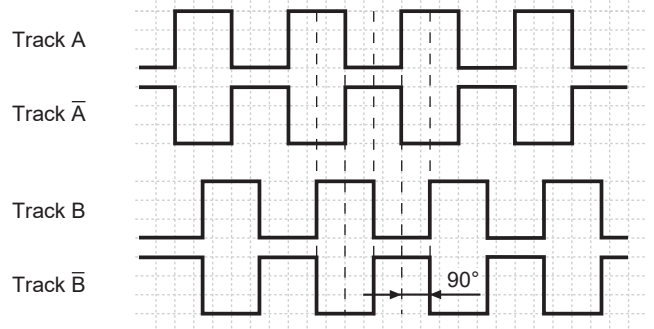
### With NI-signals, cable [4x2x0,08 mm<sup>2</sup>]

Core colour	Assignment
green	Track A
yellow	Track A inv.
grey	Track B
pink	Track B inv.
brown	Track N
white	Track N inv.
red	UB
blue	GND
transparent	Shield/Housing

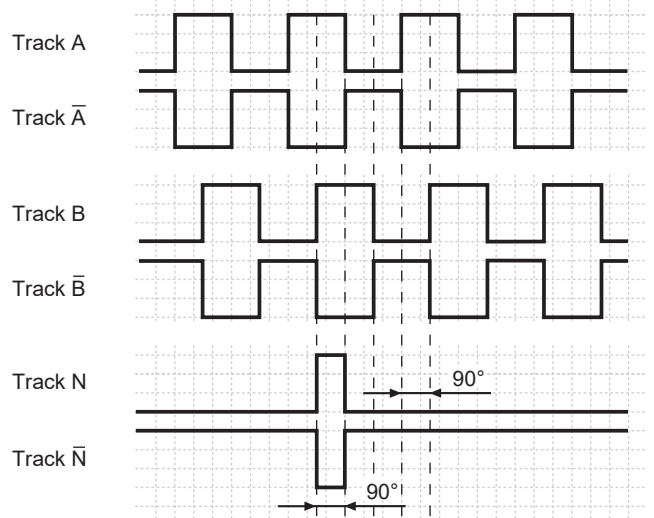
## Output signals

Clockwise rotation when looking at the mounting side.

### BI-Output signals



### NI-Output signals



## Trigger level

Outputs	Linedriver
Output level High	$\geq 2,5$ V
Output level Low	$\leq 0,5$ V
Load	$\leq 30$ mA

Outputs	Push-pull short-circuit proof
Output level High	$\geq UB - 3$ V
Output level Low	$\leq 1,5$ V
Load	$\leq 30$ mA

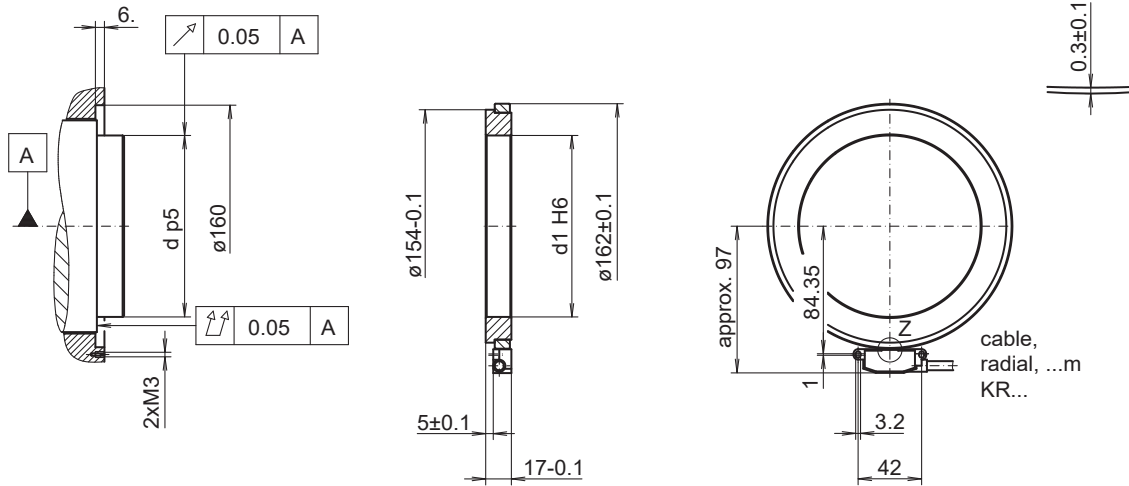
# ITD89H00 - Rectangular signal

Through hollow shaft  $\varnothing 70$  to  $\varnothing 140$  mm

256...8192 pulses per revolution

## Dimensions

Mounting side:  
Proposal for shrink fitting\*.  
Maximum heating of the  
pole wheel  $T_{(max)}=100$  °C



\* Please observe the manufacturer's instructions for the adhesive mounting with respect to adhesives and adhesive air gap.  
Recommendation: Loctite 3504, air gap  $15 \mu\text{m} \pm 5 \mu\text{m}$

040- 2

# ITD89H00 - Rectangular signal

 Through hollow shaft  $\varnothing 70$  to  $\varnothing 140$  mm

256...8192 pulses per revolution

**Ordering reference**

	ITD89H00	#####	#	####	KR1	E	##	IP67
<b>Product</b>	ITD89H00							
<b>Pulse number</b>								
256 <sup>(1)</sup>		256						
512 <sup>(1)</sup>		512						
1024		1024						
2048		2048						
4096		4096						
8192		8192						
<b>Voltage supply / signals</b>								
5 VDC / TTL level, linedriver				T				
8...26 VDC / HTL level, push-pull				H				
<b>Output signals</b>								
A, A inv, B, B inv					BI			
A, A inv, B, B inv, N, N inv					NI			
<b>Connection</b>								
Cable 1 m, radial					KR1			
<b>Operating temperature</b>								
-40...+100 °C						E		
<b>Through hollow shaft</b>								
$\varnothing 70$ mm								70
$\varnothing 75$ mm								75
$\varnothing 80$ mm								80
$\varnothing 85$ mm								85
$\varnothing 120$ mm								120
<b>Protection</b>								
IP 67								IP67

(1) Featured pulse numbers available as BI output signals.  
 Other diameters on request.