

# VAX-50M.I.NVX

5 Megapixel, Monochrome, NVIDIA Jetson Xavier NX

Article number: 11702240

## Overview

- Sony IMX250
- 2448 x 2048 px, 2/3" CMOS, 77 fps
- 6-Core NVIDIA Carmel ARM
- 384 Core NVIDIA Volta GPI
- 8 GB 128-bit LPDDR4x
- Gigabit Ethernet, USB 3.0, RS232



Picture similar



## Technical data

### Processor data

Processor configuration	NVIDIA Jetson Xavier NX
GPU data	384 Core Volta GPU
CPU data	6-Core Carmel ARM
AI data	2 x NVDLA Engines
Memory RAM	8 GB LPDDR4x
Memory Flash	16 GB eMMC 5.1

### Sensor information

Sensor	Sony IMX250 Gen2
Mono/Color	Mono
Sensor type	2/3" CMOS
Shutter type	Global shutter
Resolution	2448 × 2048 px
Pixel size	3.45 × 3.45 μm
Exposure time	0.001 ... 60000 ms

### Data quality (EMVA 1288 typical)

Dark noise	2.11 e-
Saturation capacity	9411 e-
Dynamic range	70.6 dB
Signal-to-noise ratio	39.7 dB
Quantum efficiency	65.2 % @ 535 nm

### Acquisition formats

Image formats, interface frame rate max.	Full Frame, 2448 × 2048 px, max. 73 fps Binning 2×2, 1224 × 1024 px, max. 77 fps Binning 2×1, 1224 × 2048 px, max. 77 fps Binning 1×2, 2448 × 1024 px, max. 77 fps
--	---

Image formats, aquisition frame rate max. (Burst Mode)	Full Frame, 2448 × 2048 px, max. 77 fps
--	---

### Acquisition formats

Pixel formats	Mono8 Mono10 Mono12 Mono12 Packed
---------------	--

### Image preprocessing

Analog controls	Gain (0 ... 48 dB) Offset (0 ... 255 LSB 12 Bit)
-----------------	---

Color models	Mono
--------------	------

### Camera features

Auto Functions	Exposure Auto Gain Auto
----------------	----------------------------

Image Pre-processing	Image Flipping (X/Y) LUT / Gamma
----------------------	-------------------------------------

Acquisition / Interface	Burst Mode Adjustable Framerate Short Exposure Time Enable Device Link Throughput Limit Internal Image Buffer
-------------------------	---

Synchronization	free running trigger
-----------------	-------------------------

Trigger sources	Hardware Software ActionCommand
-----------------	---------------------------------------

Trigger delay	0 ... 2 sec, tracking and buffering of up to 256 trigger signals
---------------	--

# VAX-50M.I.NVX

5 Megapixel, Monochrome, NVIDIA Jetson Xavier NX

Article number: 11702240

## Technical data

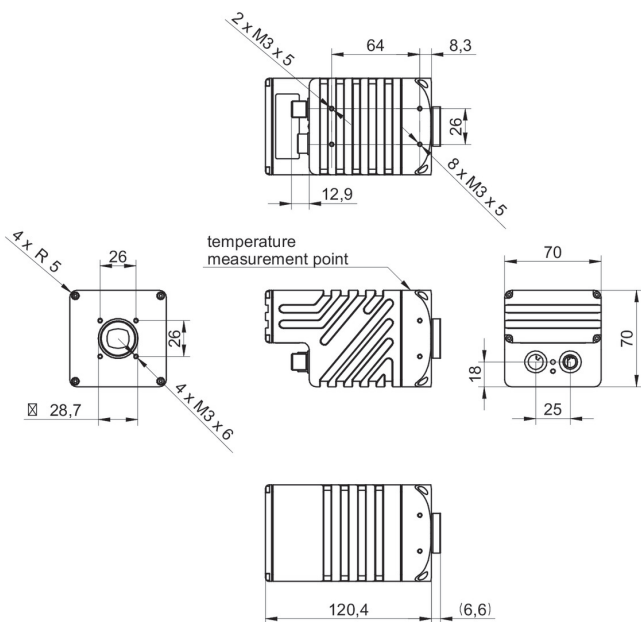
### Camera features

Process Synchronization	Events Timer Trigger Delay Debouncer Counter Sequencer Trigger via Action CMD (GigE) Additional Output Modes (e.g. Trigger Ready) PWM (PWM Duration / PWM Duty Cycle) 4 power outputs with up to 120 W (max. 48 V / 2.5 A) Selectable Output format (e.g. Tri State, Push Pull) Chunk data inside transferred image Encoder support via Counter End trigger source
Additional Functions	User Set Integrated temperature sensor Readable additional information (e.g. sensor information) Save Custom Data
Internal image buffer	445 MB 31 images (Trigger Mode) 1 image (Free Running Mode)

### Interfaces and connectors

Data interface	GigE USB 3.0 RS232
Process interface	M12 / 12 pins a-coded (SACC-CI-M12MS-12CON-L180)
Power supply	via M12/12 pins a-coded

### Dimension drawing



### Mechanical data

Lens mount	C-mount
Width	70 mm
Height	70 mm
Depth	120 mm
Weight	≤ 650 g
Material	aluminum, hard-anodized

### Electrical data

Power consumption	Approx. 17.9 W @ 73 fps
-------------------	-------------------------

### Environmental conditions

Operating temperature	0 ... +60 ° @ T = measurement point
Humidity	10 ... 90 % (non-condensing)
Protection class	IP 65 (with mounted tube and cable) IP 67 (with mounted tube and cable)

### Digital I/Os

Lines	1 input line 4 power output lines with pulse width modulation (PWM) (max. 48 V / max. 2,5 A)
Output line sources	Off Exposure Active Timer1 Readout Active User0 User1 User2 TriggerReady

### Conformity

Conformity	RoHS EAC
------------	-------------

### Principle

