

Overview

- measuring mode: edges, center, width
- 350 mm
- 500 mm
- pulsed infrared diode
- Teach-in
- connector M12 8 pin, rotatable
- 55 °C
- IP 67



Picture similar



Technical data

General data

Type	Measuring mode: edges, center, width
Version	With filter for transparent objects
Measuring field size	350 mm
Measuring distance (to object)	500 mm
Measuring frequency	500 Hz
Resolution	< 0.35 mm
Smallest object recognizable	4 mm
Linearity error relative	< 0.3 %
Light source	Pulsed infrared diode
Wave length	880 nm
Adjustment	Teach-in

Electrical data

Response time	< 2 ms
Voltage supply range +Vs	15 ... 28 VDC
Current consumption max. (no load)	150 mA

Electrical data

Output signal	4 ... 20 mA
Switching output	NPN
Output function	Out 1 / Alarm
Output current	< 100 mA
Interface	Analog and RS485
Baud rate	19200, adjustable
Reverse polarity protection	Yes, Vs to GND

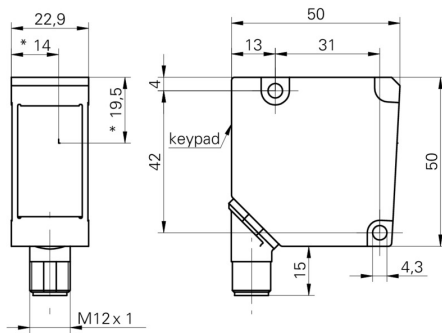
Mechanical data

Width / diameter	23 mm
Type	Rectangular
Housing material	Die-cast zinc
Front (optics)	Glass
Connection types	Connector M12 8 pin, rotatable

Ambient conditions

Operating temperature	0 ... +55 °C
Protection class	IP 67

Dimension drawing



- * receiver axis

Connection diagram

