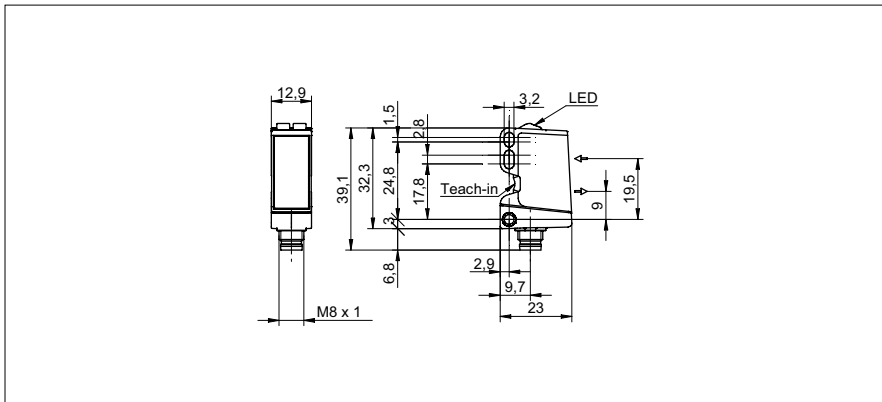


Distance sensors

O300.DI-11199081

dimension drawing



general data

type	distance measuring
version	IO-Link measuring
measuring distance Sd	30 ... 300 mm
adjustment	Teach-in and IO-Link
power on indication	LED green
light indicator	LED yellow
resolution	0,5 ... 5 mm
linearity error	± 1,5 ... ± 15 mm
light source	pulsed infrared diode
wave length	860 nm
beam type	point
suppression of reciprocal influence	yes
alignment optical axis	< 2°
temperature drift	< 0,2 % Sde/K

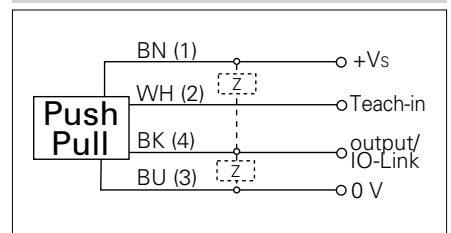
electrical data

response time / release time	< 0,49 ms
voltage supply range +Vs	10 ... 30 VDC
current consumption max. (no load)	45 mA
voltage drop Vd	< 3 VDC
output circuit	push-pull
baud rate	38,4 kBaud (COM 2)
output current	< 100 mA
short circuit protection	yes
reverse polarity protection	yes
interface	IO-Link V1.1
cycle time	≥ 2,7 ms
process data length	3 Byte
process data structure	Bit 0 = BDC1 Bit 2 = quality Bit 3 = alarm Bit 8-23 = 16 Bit measurement

photo



connection diagram



Distance sensors**O300.DI-11199081****mechanical data**

width / diameter	12,9 mm
height / length	32,3 mm
depth	23 mm
type	rectangular
housing material	plastic (ASA, PMMA)
front (optics)	PMMA
connection types	connector M8 4 pin

ambient conditions

operating temperature	-25 ... +60 °C
protection class	IP 67