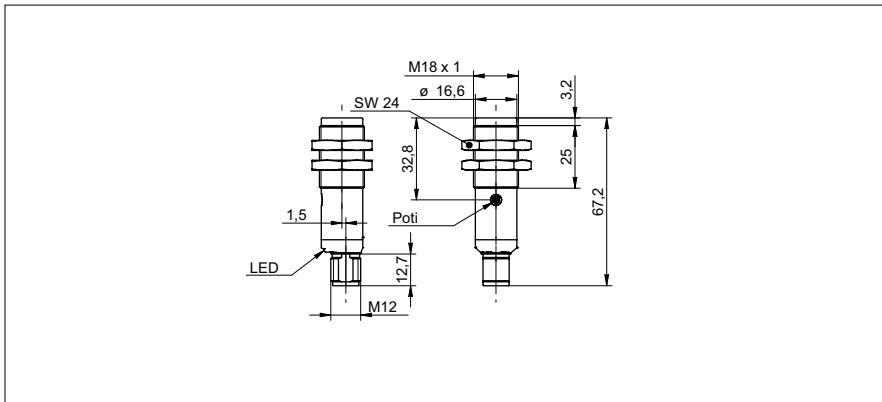


Retro-reflective sensors

OR18W.RR.T-11157845

dimension drawing



general data

type	retro-reflective sensor
special type	Washdown design
version	transparency object detection
light source	pulsed red LED
actual range Sb	0,5 m
nominal range Sn	0,8 m
polarization filter	yes
output indicator	LED yellow
sensitivity adjustment	potentiometer, 270°
wave length	660 nm
suppression of reciprocal influence	yes

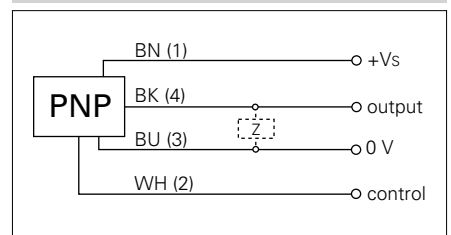
photo



electrical data

response time / release time	< 1 ms
voltage supply range +Vs	12 ... 30 VDC
current consumption max. (no load)	40 mA
current consumption typ.	30 mA
voltage drop Vd	< 2 VDC
output function	light / dark operate
output circuit	PNP
output current	< 100 mA
short circuit protection	yes
reverse polarity protection	yes

connection diagram



mechanical data

width / diameter	18 mm
height / length	67,2 mm
type	cylindrical threaded
housing material	stainless steel 1.4404 (V4A)
front (optics)	PMMA
connection types	connector M12 4 pin

ambient conditions

operating temperature	-25 ... +55 °C
protection class	IP 67/69K

